

Universal Off-Highway Control – TTC 48X

General Description

TTC 48X is an intelligent I/O module that is controlled using CANopen®. It is compliant to CANopen standard certified by CiA. It is part of a complete and compatible product family for the off-highway industry. The TTC 48X is protected by a compact, automotive-style housing and is highly suited for rough operating conditions. It allows local current control on its PWM outputs.

Specifications

Parameter		Unit
ECU Dimensions	147.6 x 180.3 x 39.8	mm
Dimensions for minimum connector release clearance	197.7 x 202.8 x 39.8	mm
Weight	about 650	g
Operating Temperature	-40 to +85	°C
Operating Altitude	0 to 4000	m
Supply Voltage	8 to 32	V
Peak Voltage	45	V _{max}
Idle Current	0.15 at 9 V	A _{max}
Standby Current	0.5	mA _{max}
Current	25	A _{max}
Fulfills the following standards		
CE-Mark	2014/30/EU	
E-Mark	ECE-R10 Rev.4	
EMC	ISO13766, up to 100 V/m, 20 MHz to 1GHz	
ESD	IEC 61000-4-2	
Load Dump	ISO7637-2, 173 V, 2 Ohm	
Ingression Protection	EN 60529 IP 65, IP67 DIN 40050 IP 6K9K	
Communication Profile	CANopen CiA DS 401	
Temperature	EN 60068-2-1, -14Nb, -2, -78, -30	
Climatic	EN 50581	
Vibration, Shock, Bump	IEC 60068-2-29, -64, -27, -32	

Features

All I/Os and interfaces mentioned below are protected against short circuit to GND and BAT+.

CPU Core

- 16/32-bit Infineon XC2287 microcontroller, 80 MHz, 768 kB int. Flash, 82 kB int. RAM, 512 kB ext. RAM

Interface

- 1x CAN, 125 kbit/s up to 1 Mbit/s

Outputs

- 8x digital OUT 2A high-side, PWM, configurable as timer inputs
- 8x digital OUT 4A high-side, configurable as analog inputs

Inputs

- 8x analog IN 0 to 5V or 4 to 20 mA / 10 bit, configured by software
alternative use as resistive measurements
- 8x analog IN 0 to 32V / 10-bit, range configurable by SW
- 4x current feedback, configurable as digital outputs/ low side 2 A
- 4x digital IN (4 timer 10Hz to 10kHz)
- 8x digital IN

Other

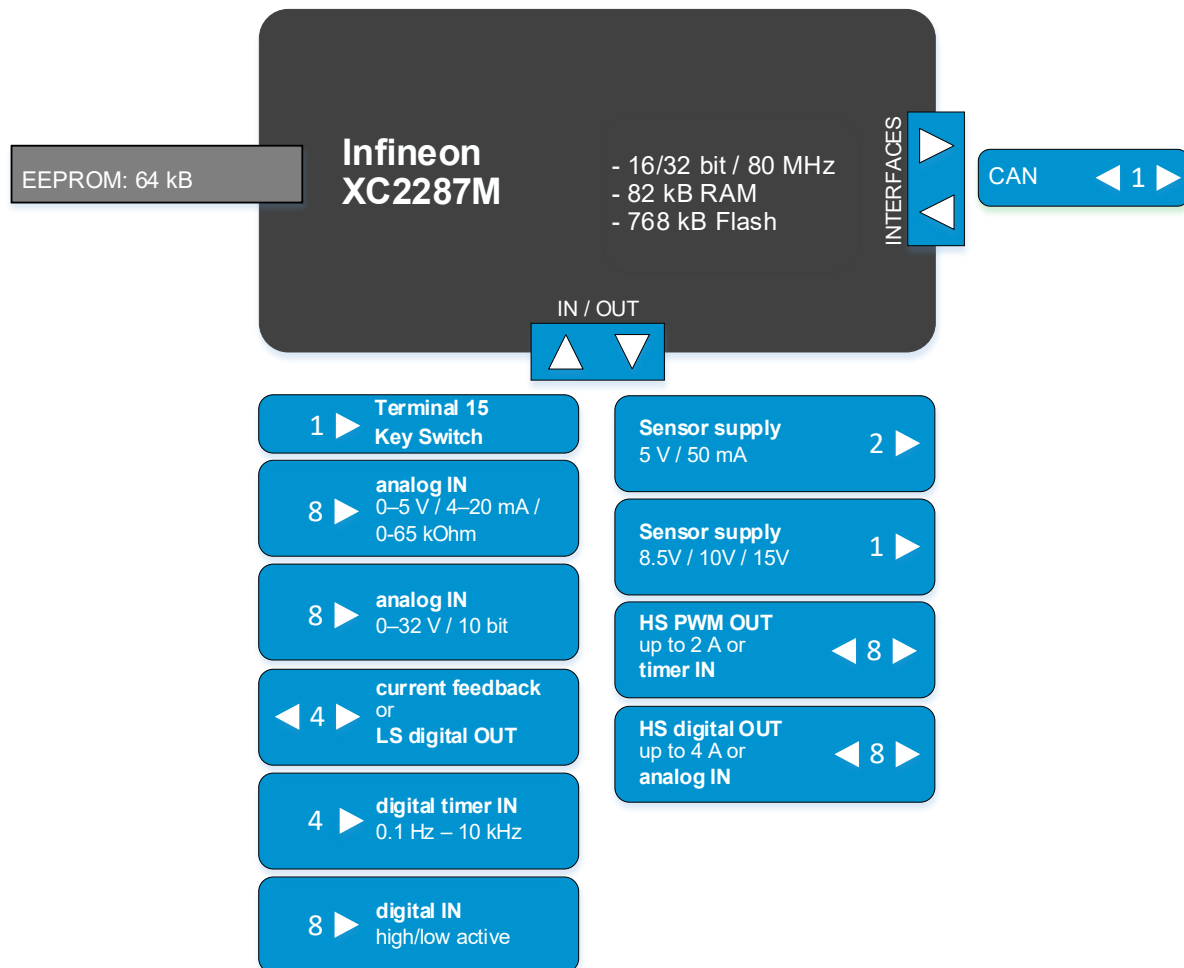
- Internal: monitoring of board temperature, sensor supply and battery
- 1x sensor supply 8.5 V/10.0V/14.5 V configurable
- 2x sensor supply 5 V

Software

- CANOpen® slave software preinstalled

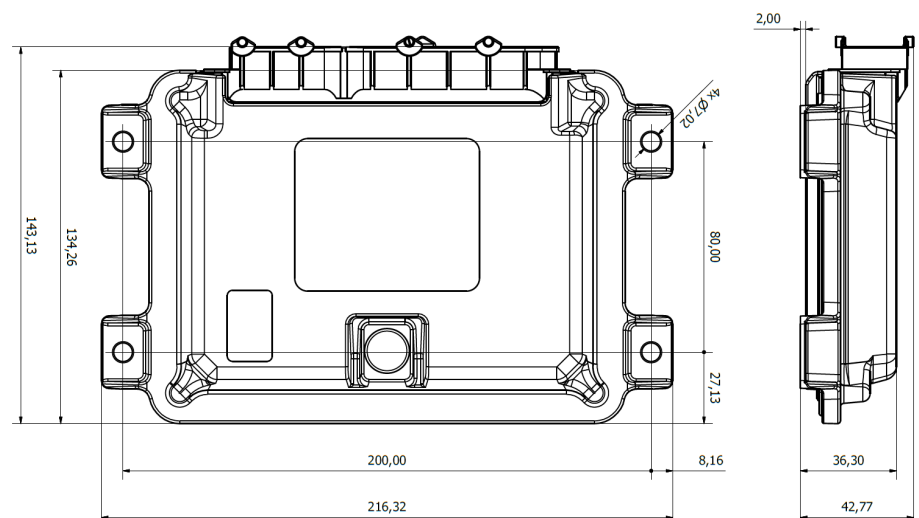


Block Diagram



Housing and Connector

- Aluminium pressure die-cast housing
- Waterproof 80-pin connector
- Pressure adjusting with water barrier



For further information, including price and availability, please contact products@ttcontrol.com

Subject to changes and corrections. TTC 48X is a product name of TTControl GmbH. CODESYS® is a registered trademark of CODESYS GmbH. CANopen® and CiA® are registered community trademarks of CAN in Automation). All other trademarks are the property of their respective holders. To the extent possible under applicable law, TTControl hereby disclaims any and all liability for the content and use of this product flyer.