

Vision 304k

Description

Vision 304k is a compact 4.3-inch display with 4 programmable keys. The display is optically bonded for perfect sunlight readability. The housing is sealed, and the device can withstand wide range of temperatures as well as shocks and vibrations.

Specifications

Display diagonal size	4.3", 15:9 aspect ratio
Dimensions	144 x 89 x 35 mm
Weight	560 g
Resolution	480 (W) x 272 (H) pixels
LCD type	TFT color graphic; optically bonded.
Backlight	LED

Optical Characteristics

Luminance	800 cd /m ² typ.
Viewing angle	V = +/- 70 deg. H = +/- 70 deg.
Contrast ratio	800:1

Maximum Ratings

Operating temperature	-30 to +65 °C (ambient)
Storage temperature	-40 to +85 °C
Supply voltage	9 to 36 V

Standards

CE-Mark	2014/30/EU
E-Mark	ECE 10R
EMC	ISO 16750-2 ISO 15003
Mechanical	ISO 16750-3 ISO 15003
Ingress protection	ISO 20653 IP66



System components

- Freescale i.MX6 ULL application processor, 32-bit ARM, 528 MHz
- 2 GB Flash, 256 MB RAM
- Stand-alone or in-dash mount, landscape or portrait orientation
- Runtime counter not buffered
- Optically bonded

Interfaces

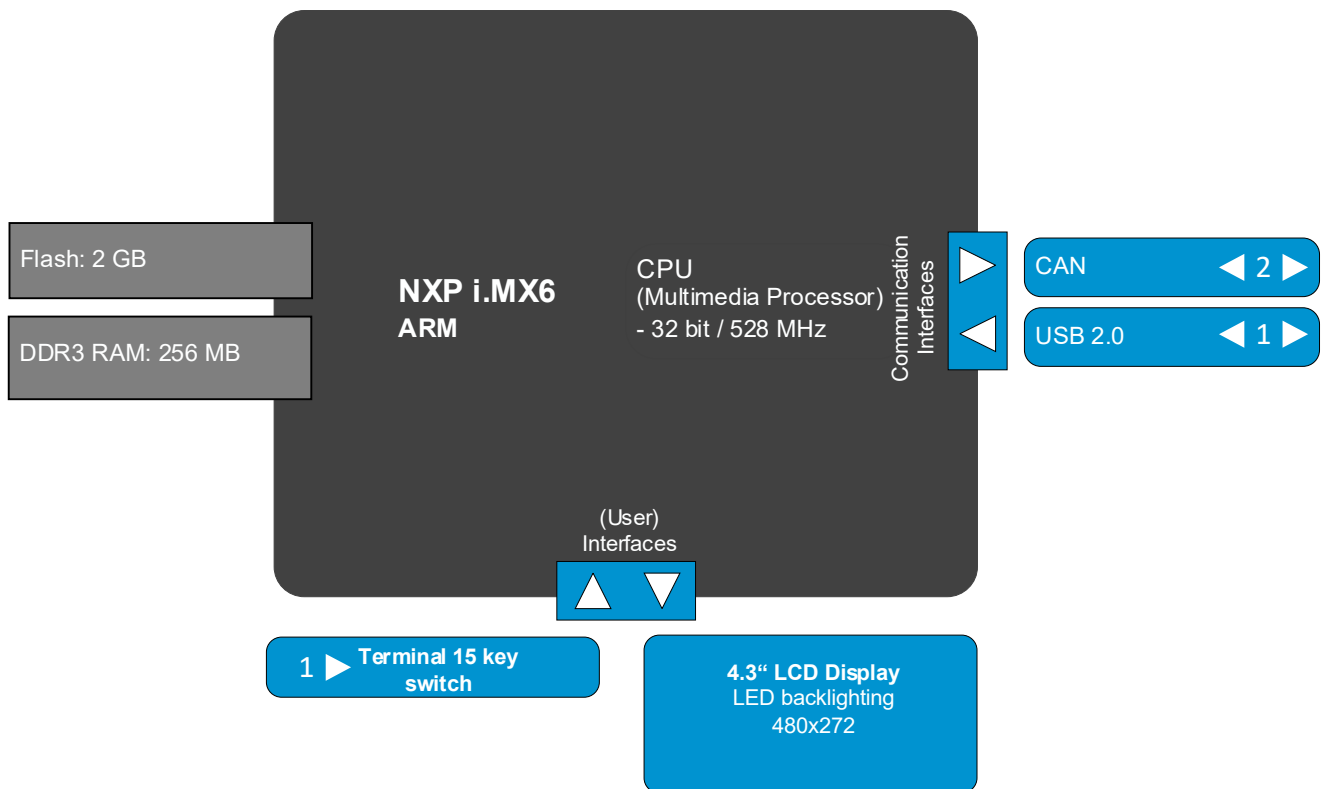
- 2 x CAN, 10 kbit/s up to 1 Mbit/s
- 1 x USB 2.0 (Type C)
- Terminal 15 key switch (ignition)
- LED backlight
- 4 keys

Software

- Programmable with CODESYS® V3 with enhanced target visualization, including support for CANopen® master or C/C++

Reverse polarity protection and protection of all external interfaces (except USB) against short circuit to GND and BAT+.

Block Diagram



Subject to changes and corrections. Vision 304 is a product name of TTControl GmbH. CODESYS® is a registered trademark of CODESYS GmbH. CANopen® and CiA® are registered community trademarks of CAN in Automation). All other trademarks are the property of their respective holders. To the extent possible under applicable law, TTControl hereby disclaims any and all liability for the content and use of this product flyer.